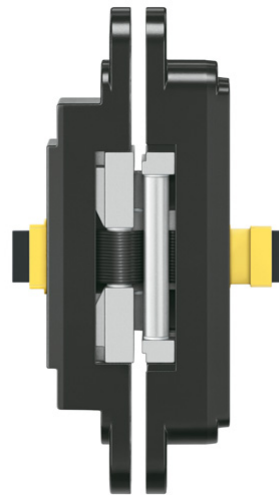


## TE 540 3D Energy

with permanent energy transfer for unrebated heavy-duty doors



### Product features

- with permanent energy transfer
- individual connection adapter options
- completely concealed hinge system
- for timber, steel or aluminium frames
- for unrebated heavy-duty doors
- with comfortable 3D adjustment (side +/- 3,0 mm, height +/- 3,0 mm, compression +/- 1,0 mm)
- maintenance-free slide bearings

### Technical data

Property	Value
Load capacity	120,0 kg
Overall length	200,0 mm
Width (door part)	32,0 mm
Width (frame part)	32,0 mm
Cutter diameter	24,0 mm
Collar ring diameter	30,0 mm
Opening Angle	180°
Wire cross section	0,14 mm <sup>2</sup>
Max. voltage	50 V

### Quality marks



Certification CE



Certification IFT



Certification UL



Certification Certifire

### Classification key

4	7	6	1 <sup>*1</sup>	1	— <sup>*2</sup>	1	13
---	---	---	-----------------	---	-----------------	---	----

\*<sup>1</sup> Test evidence for functional doors to be achieved with full door sets and assemblies.

\*<sup>2</sup> depending on the finish

## TECTUS - TE 540 3D Energy

No of wires	16
Max. current	0,8 A

### Notes

The load capacity mentioned above refers to the use of 2 hinges per door leaf (1 x 2 m), for detailed information please look at the chapter "technical information".

When ordering the accessories please consider: There are two connection adapters TECTUS Energy needed per hinge. A connection plan can be downloaded.

With an opening position of 180° the door may have to be fixed additionally.

### Installation tools

Universal milling frame

Template 5 250680 5

step 1

Template 5 250681 5

step 2

Template 5 250939 5

additional routing Energy

### Combinations

TE 540 3D FZ

TE 540 3D SZ

TE 540 3D ST

Adapter 1 TECTUS Energy

Universal adapter TECTUS Energy

Round cable 3m TECTUS Energy

Round cable 10m TECTUS Energy

Adapter set 20 TECTUS Energy

Adapter set 21 TECTUS Energy

### Function range



burglar resistance



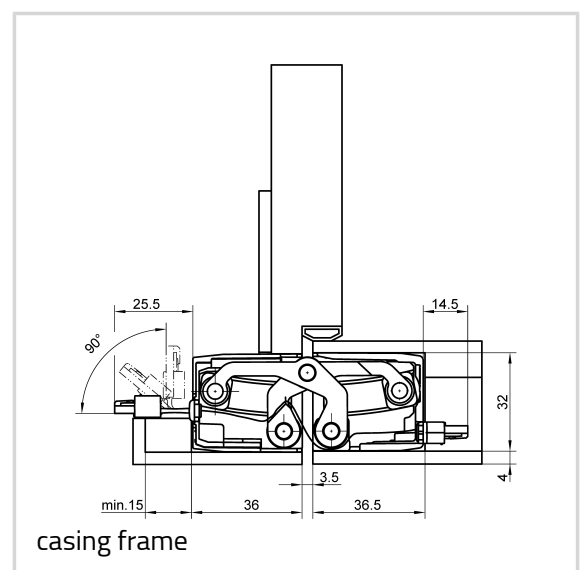
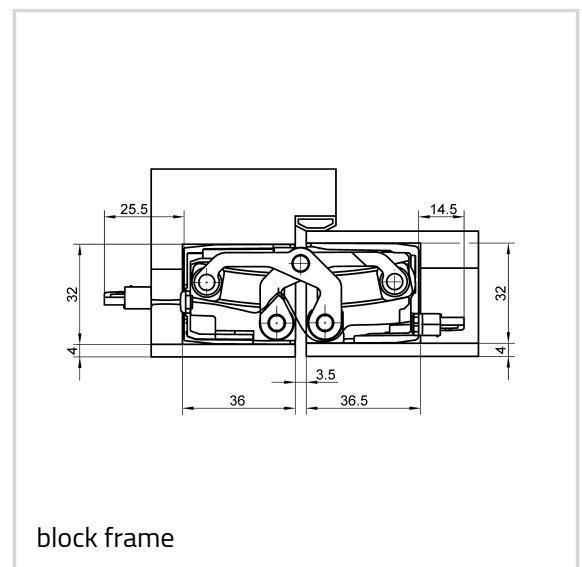
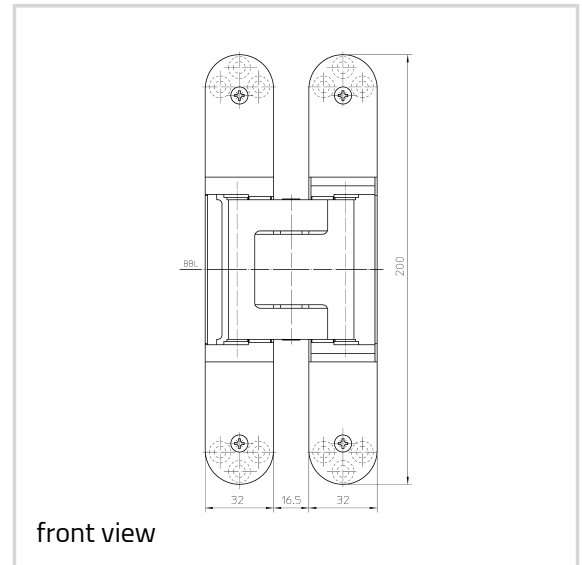
fire resistance



smoke resistance



soundproof



## TECTUS - TE 540 3D Energy

### Item versions

Finish	Satin Chrome Look (F1) (124)
OF-No.	124
VPE	pack of 1
DIN	DIN right and left hand
Article number	5 400690 0 12401
EAN	4015471126407
Finish	Stainless Steel Look (SSL) (126)
OF-No.	126
VPE	pack of 1
DIN	DIN right and left hand
Article number	5 400690 0 12601
EAN	4015471126414

